



FRONT RUNNER
VEHICLE OUTFITTERS

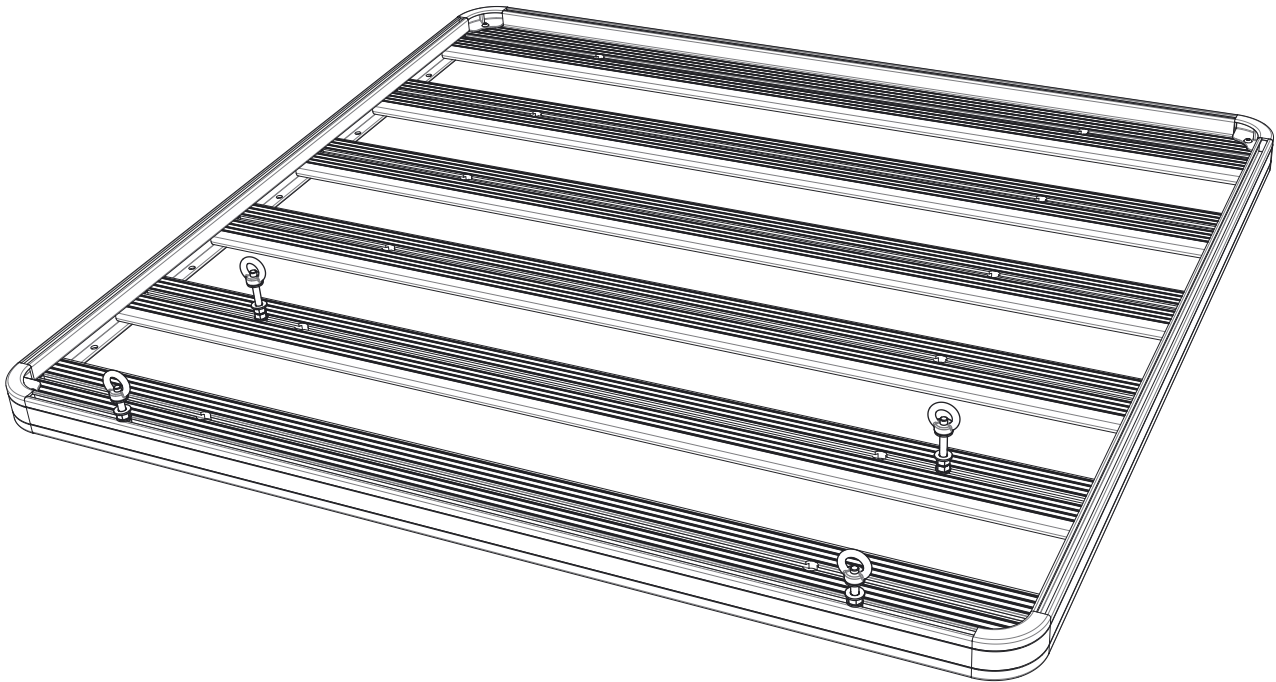
MAXTRAX
FLAT MOUNTING KIT

ENG

RRAC104



30 min



READ ME FIRST! ⚠

Thank you for purchasing a Front Runner MaxTrax Flat Mounting Kit.

Before you start, take a moment to familiarize yourself with the Fitting Instructions and the components received.

Refer to Page 2 for a list of all the components, quantities and tools required.

IMPORTANT WARNING! ⚠

IT IS CRITICAL THAT ALL FRONT RUNNER PRODUCTS BE PROPERLY AND SECURELY ASSEMBLED AND ATTACHED TO YOUR VEHICLE. IMPROPER ATTACHMENT COULD RESULT IN AN AUTOMOBILE ACCIDENT, AND COULD CAUSE SERIOUS BODILY INJURY OR DEATH. YOU ARE RESPONSIBLE FOR ASSEMBLING AND SECURING ALL FRONT RUNNER PRODUCTS TO YOUR VEHICLE. CHECKING THE ATTACHMENTS PRIOR TO USE, AND PERIODICALLY INSPECTING THE PRODUCTS FOR ADJUSTMENT, WEAR AND DAMAGE. THEREFORE YOU MUST READ AND UNDERSTAND ALL OF THE INSTRUCTIONS AND PRECAUTIONS SUPPLIED WITH YOUR FRONT RUNNER PRODUCT PRIOR TO INSTALLATION OR USE. IF YOU DO NOT UNDERSTAND ALL OF THE INSTRUCTIONS AND CAUTIONS, OR IF YOU HAVE NO MECHANICAL EXPERIENCE AND ARE NOT THOROUGHLY FAMILIAR WITH THE INSTALLATION PROCEDURES, YOU SHOULD HAVE THE PRODUCT INSTALLED BY A PROFESSIONAL INSTALLER OR OTHER QUALIFIED PERSONNEL.

1

GET ORGANIZED

IN THE BOX

1	4 X	M8 Painted Eye Nut
2	8 X	M8x19x2 Stainless Steel Flat Washer
3	6 X	M8 Nyloc Hex Nut
4	4 X	M8x16x1.6 Stainless Steel Flat Washer
5	2 X	M8x45 Stainless Steel Hex Bolt
6	2 X	M8x70 Stainless Steel Hex Bolt
7	2 X	M8x100 Stainless Steel Hex Bolt

TOOLS NEEDED

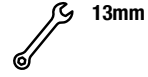
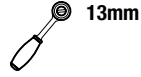
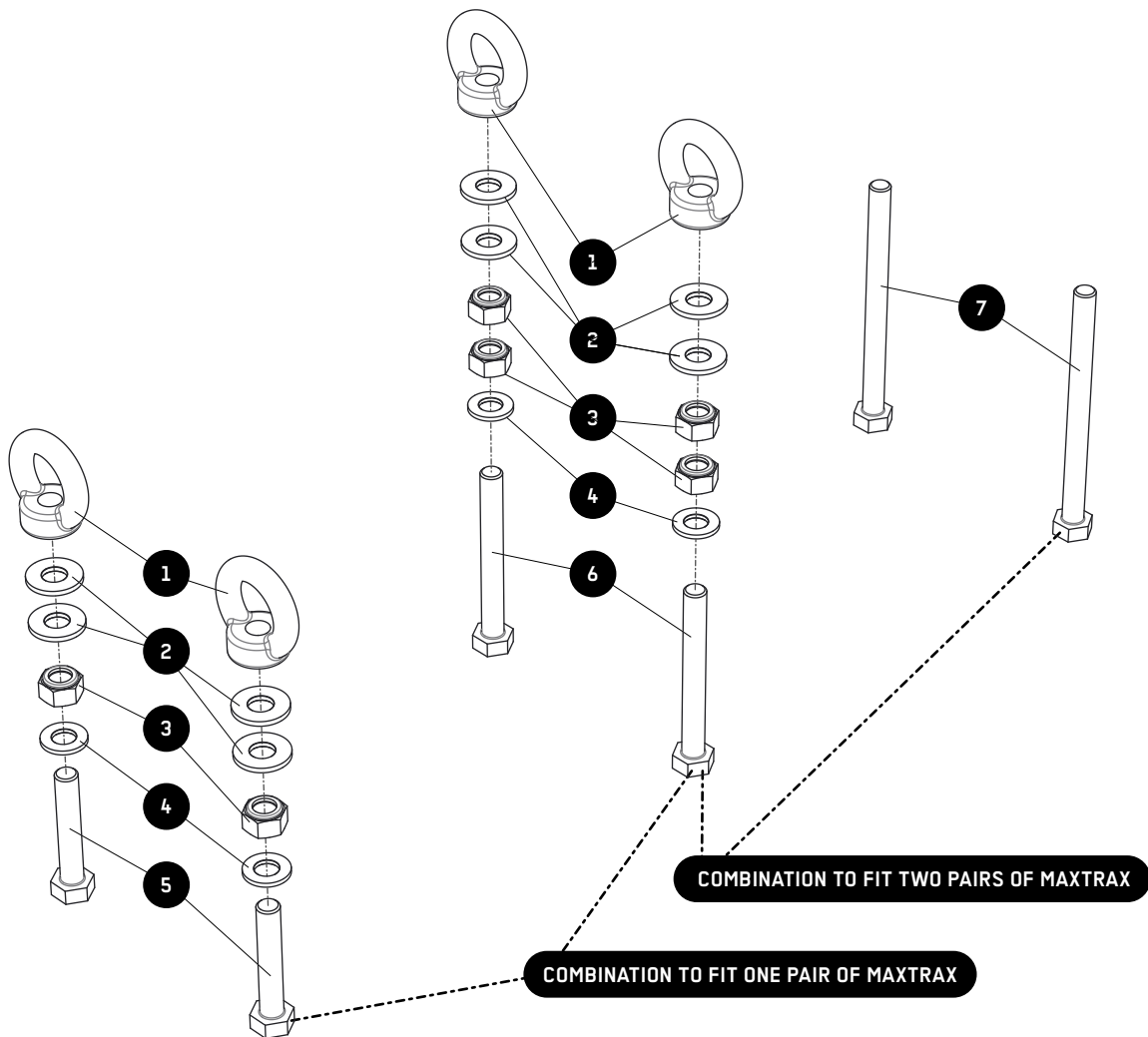
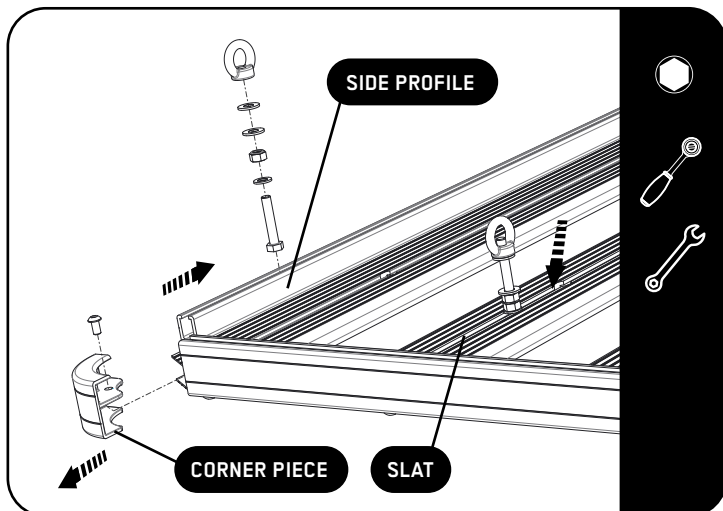


FIGURE 1.1



2 FIT AND SECURE

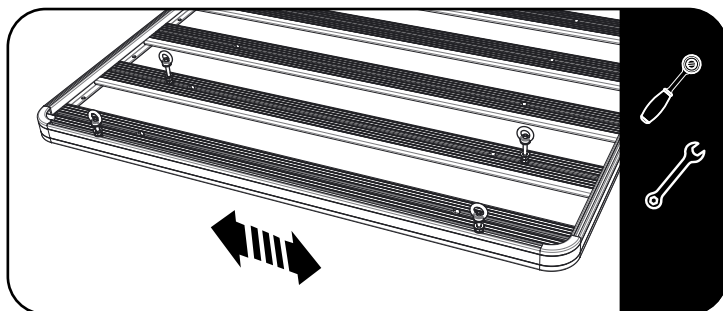
2.1



Remove the Corner Piece and feed the two shorter Bolts (see Figure 1.1) into the Channel of the Side Profile and loosely tighten.

Feed the two Longer Bolts into the next Slat, use the second Nut as a Height adjuster, leveling it to the Nut on the Side Profile.

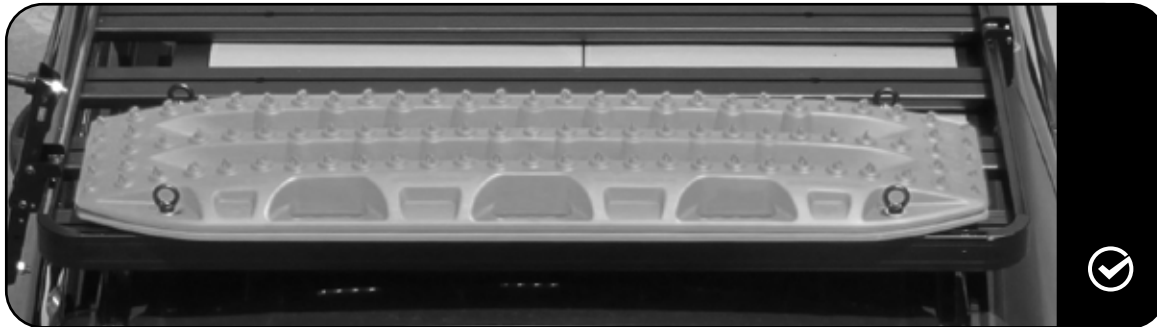
2.2



Set the final position with a MaxTrax Resting on the Bolts and fully Tighten.

3 COMPLETION

3.1



Congratulations you have completed your installation, take a step back and admire your work.

4 Front Runner will not be responsible for any damage caused by the failure to install the product according to these instructions. Please call us if you have any questions about the installation of this product.

5 INSTALL OTHER VEHICLE AND RACK ACCESSORIES

Now's the time to visit your favorite Front Runner Dealer in person or Online.

Be sure to tag us. We love to see our gear in action! #FrontRunnerOutfitters #BornToRoam

Share your adventures on: 