

**READ ME !** 

Thank you for purchasing a Front Runner Drop Down Table MKII.  
Before you start, take a moment to familiarize yourself with this Fitting Instruction and the components received.  
Refer to Page 2 for a list of all the components, quantities and tools required.

**IMPORTANT WARNING!** 

IT IS CRITICAL THAT ALL FRONT RUNNER PRODUCTS BE PROPERLY AND SECURELY ASSEMBLED AND ATTACHED TO YOUR VEHICLE.  
IMPROPER ATTACHMENT COULD RESULT IN AN AUTOMOBILE ACCIDENT, AND COULD CAUSE SERIOUS BODILY INJURY OR DEATH.  
YOU ARE RESPONSIBLE FOR ASSEMBLING AND SECURING ALL FRONT RUNNER PRODUCTS TO YOUR VEHICLE. CHECKING THE ATTACHMENTS PRIOR TO USE, AND PERIODICALLY INSPECTING THE PRODUCTS FOR ADJUSTMENT, WEAR AND DAMAGE.  
THEREFORE YOU MUST READ AND UNDERSTAND ALL OF THE INSTRUCTIONS AND PRECAUTIONS SUPPLIED WITH YOUR FRONT RUNNER PRODUCT PRIOR TO INSTALLATION OR USE.  
IF YOU DO NOT UNDERSTAND ALL OF THE INSTRUCTIONS AND CAUTIONS, OR IF YOU HAVE NO MECHANICAL EXPERIENCE AND ARE NOT THOROUGHLY FAMILIAR WITH THE INSTALLATION PROCEDURES,  
YOU SHOULD HAVE THE PRODUCT INSTALLED BY A PROFESSIONAL INSTALLER OR OTHER QUALIFIED PERSONNEL.

# 1

## GET ORGANIZED

Here is what you are looking at for TBRA027

### IN THE BOX

1	1 X	Drop Down Table
2	4 X	Button Head M6 x 25
3	4 X	Spring Washer M6
4	4 X	Flat Washer M6
5	4 X	Turn Nut
6	1 X	Left Hand Slide Bracket

### TOOLS NEEDED

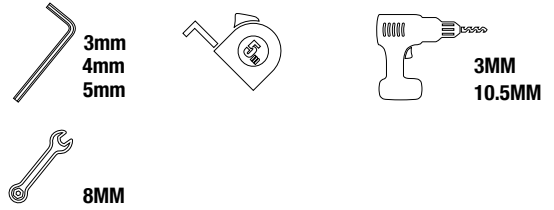
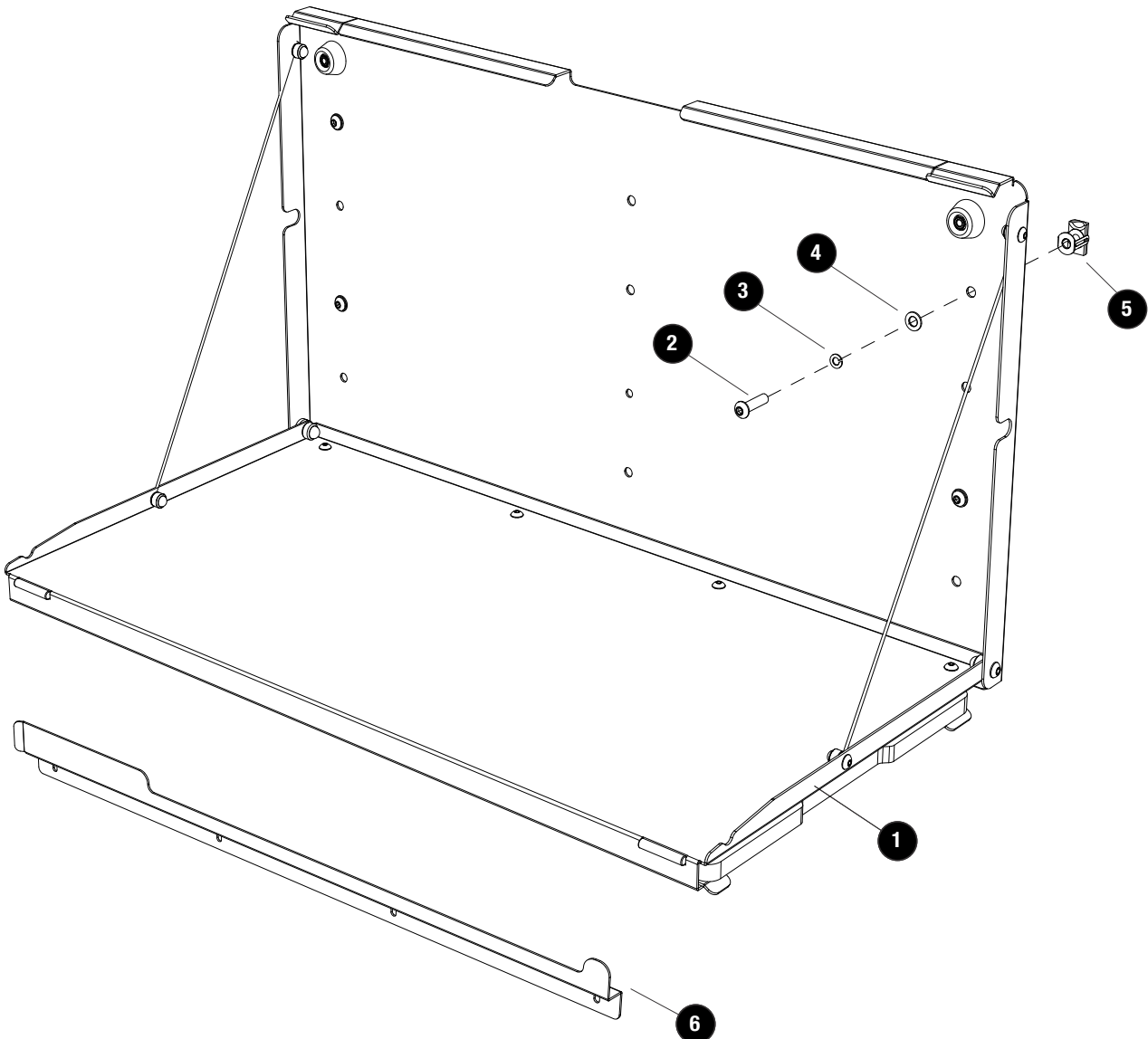


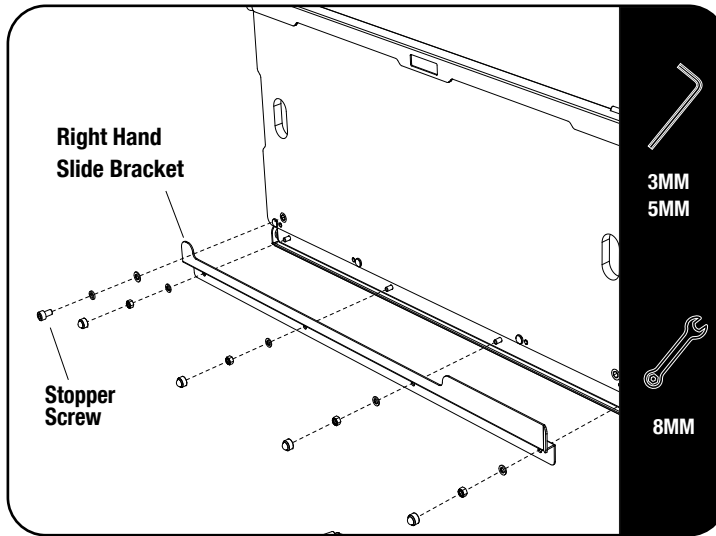
FIGURE 1.1



**2**

**FIT AND SECURE**

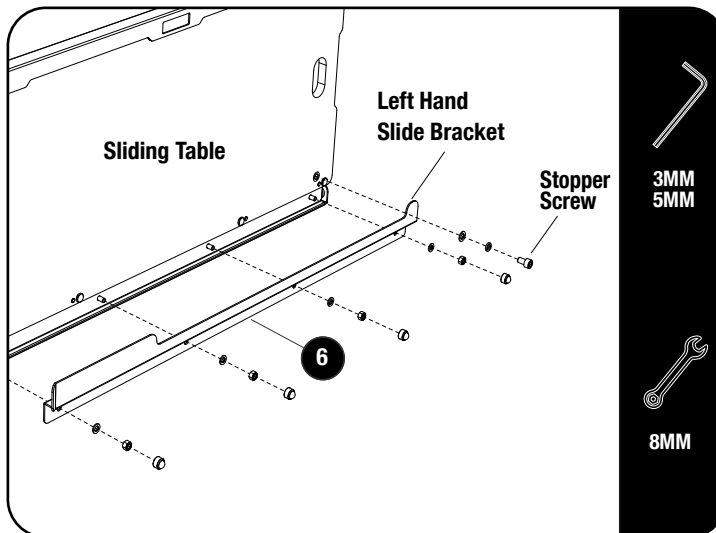
2.1



⌚ If your vehicle has a rear door that opens to the left side you need to replace the right hand slide bracket with the left hand slide bracket. Do this by removing the nut caps and loosening the fasteners shown.

If your vehicle has a rear door that opens to the right side, move on to Step 2.3.

2.2



⌚ Fit and secure the left hand slide bracket (Item6) with the fasteners you removed in Step 2.1. Relocate the stopper screw to the right side of the sliding table. Refit the nut caps you removed in Step 2.1.

2.3

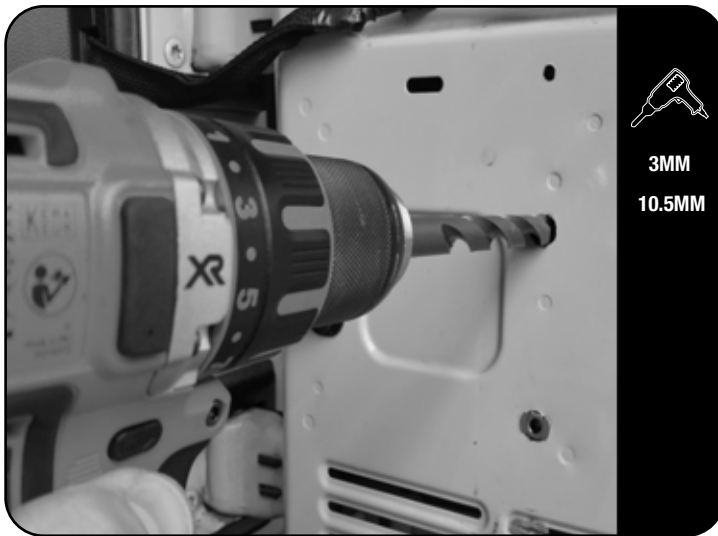


⌚ Find a suitable position for the table. Remove the trim panel if fitted. Mark out the 4 fixing points, take care that these points are not on or close to bends in the bodywork or on spot-welds.

2

**FIT AND SECURE**

2.4



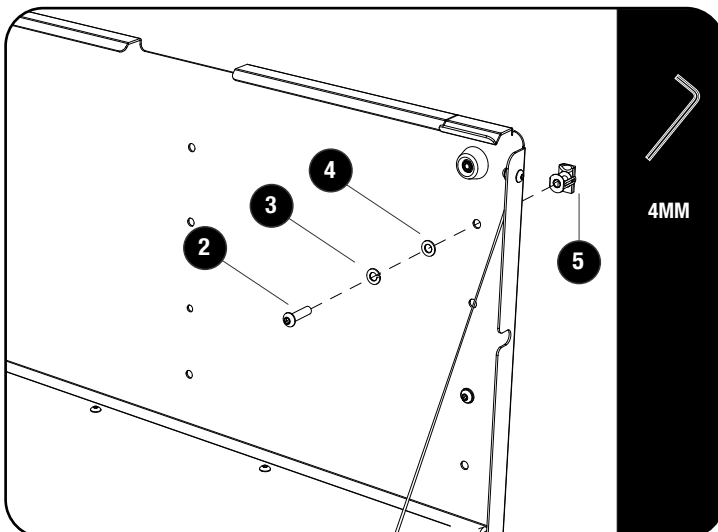
Drill a 3mm pilot hole, using light pressure and taking care only to drill through the interior panel. Use a 10.5mm drill to open up the 3mm pilot hole.

2.5



Insert the turn nut (Item 5)

2.6

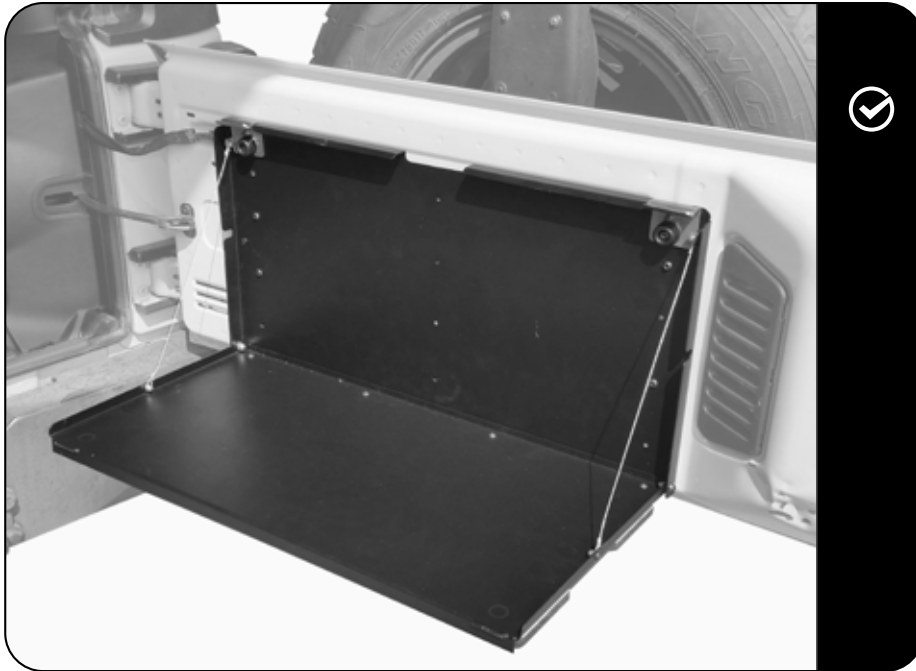


Secure the drop down table using the fasteners shown in 2.6

3

## COMPLETION

3.1



**Congratulations. You did it. Take a step back and admire your work!**

4

## INSTALL OTHER VEHICLE AND RACK ACCESSORIES

Now's the time to visit your favorite Front Runner Dealer in person or online.