

READ ME ! ⚠

Thank you for purchasing a Front Runner Hard Shell Tent Mount Brackets.

Before you start, take a moment to familiarize yourself with the Fitting Instructions and the components received.

Refer to Page 2 for a list of all the components, quantities and tools required.

IMPORTANT WARNING! ⚠

IT IS CRITICAL THAT ALL FRONT RUNNER PRODUCTS BE PROPERLY AND SECURELY ASSEMBLED AND ATTACHED TO YOUR VEHICLE. IMPROPER ATTACHMENT COULD RESULT IN AN AUTOMOBILE ACCIDENT, AND COULD CAUSE SERIOUS BODILY INJURY OR DEATH. YOU ARE RESPONSIBLE FOR ASSEMBLING AND SECURING ALL FRONT RUNNER PRODUCTS TO YOUR VEHICLE, CHECKING THE ATTACHMENTS PRIOR TO USE, AND PERIODICALLY INSPECTING THE PRODUCTS FOR ADJUSTMENT, WEAR AND DAMAGE. THEREFORE, YOU MUST READ AND UNDERSTAND ALL OF THE INSTRUCTIONS AND PRECAUTIONS SUPPLIED WITH YOUR FRONT RUNNER PRODUCT PRIOR TO INSTALLATION OR USE. IF YOU DO NOT UNDERSTAND ALL OF THE INSTRUCTIONS AND CAUTIONS, OR IF YOU HAVE NO MECHANICAL EXPERIENCE AND ARE NOT THOROUGHLY FAMILIAR WITH THE INSTALLATION PROCEDURES, YOU SHOULD HAVE THE PRODUCT INSTALLED BY A PROFESSIONAL INSTALLER OR OTHER QUALIFIED PERSONNEL.

NOTE: Front Runner will not be responsible for any damage caused by the failure to install the product according to these instructions.

Please call us if you have any questions about the installation of this product.

1

GET ORGANIZED

IN THE BOX

1	2 X	Channel Plate 1
2	2 X	Channel Plate 2
3	2 X	Tent Spacer
4	4 X	Tent Spacer Base
5	4 X	M8 x 75 Carriage Bolt
6	4 X	M8 Nyloc Nut
7	4 X	M8 Nut Cap
8	4 X	M8 x 45 Carriage Bolt

TOOLS NEEDED



FIGURE 1.1

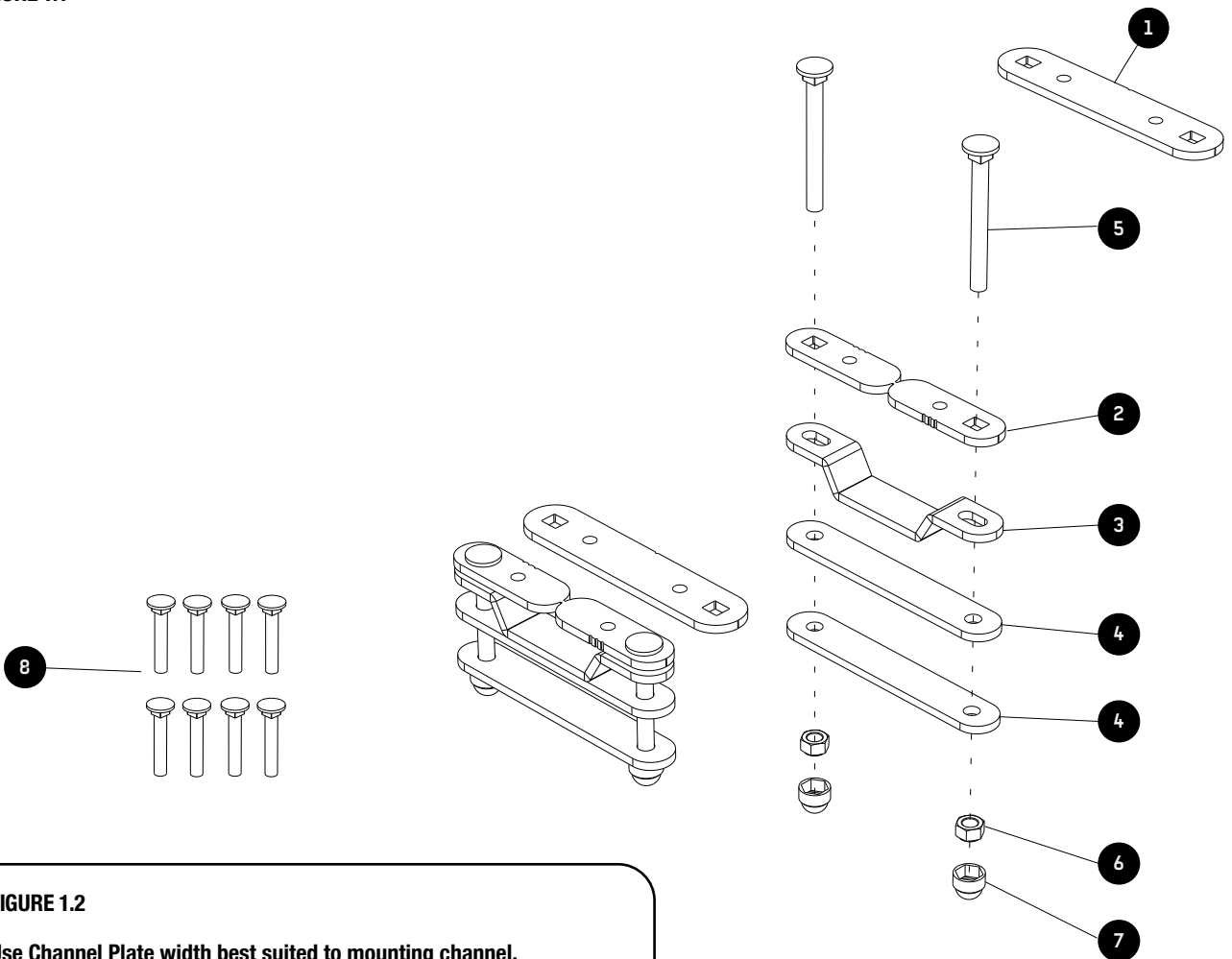
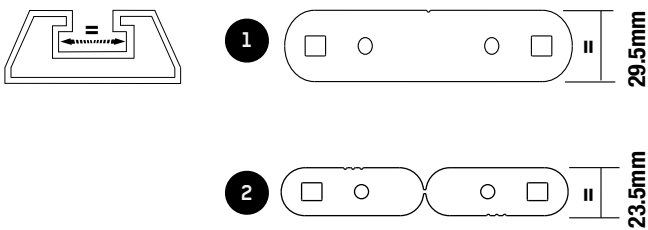


FIGURE 1.2

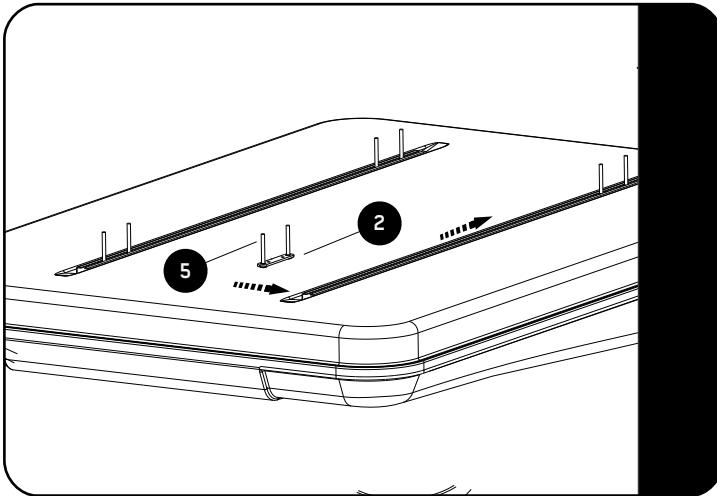
Use Channel Plate width best suited to mounting channel.



2

FIT AND SECURE TENT TO ROOF RACK

2.1



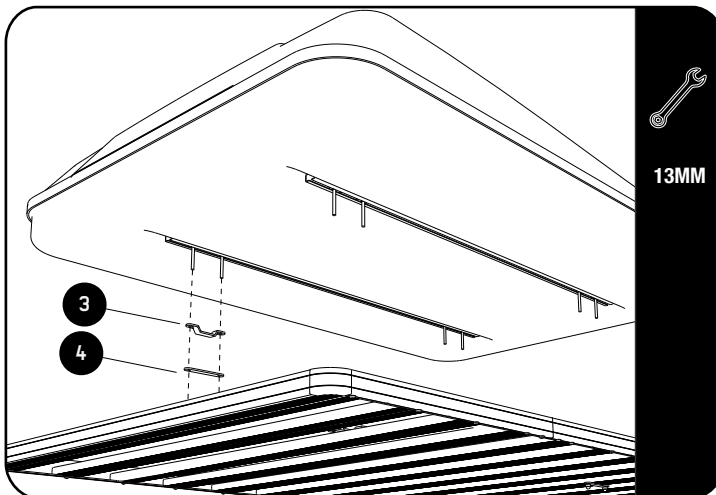
Use Channel Plate closest to mounting channel.



Assemble the M8 x 75 Coach Bolts and the Channel Plates (Items 1 or 2 & 5).

Slide two assemblies into the tent channel on each side.

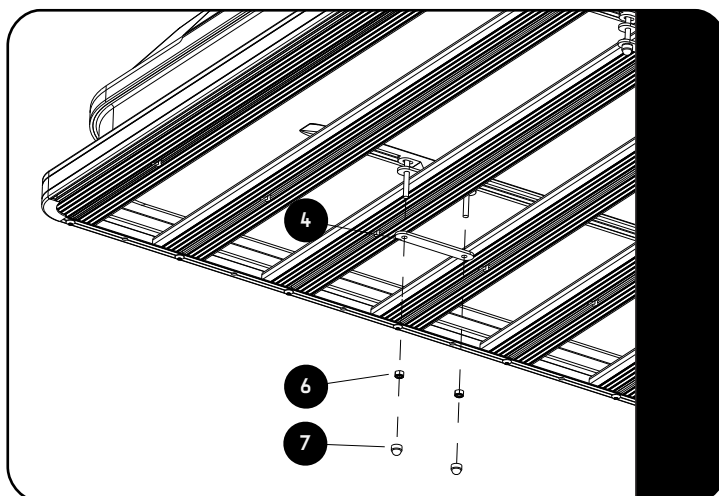
2.2



Before placing the tent onto of your Slimline II Rack, slide a Tent Spacer and a Tent Spacer Base (Items 3 & 4) onto the M8 x 75 Carriage Bolts.

Do this on all 4 assemblies.

2.3



Using the remaining 4 Tent Spacer Bases (Item 4), secure the tent to the slats with M8 Nyloc Nuts (Item 6).



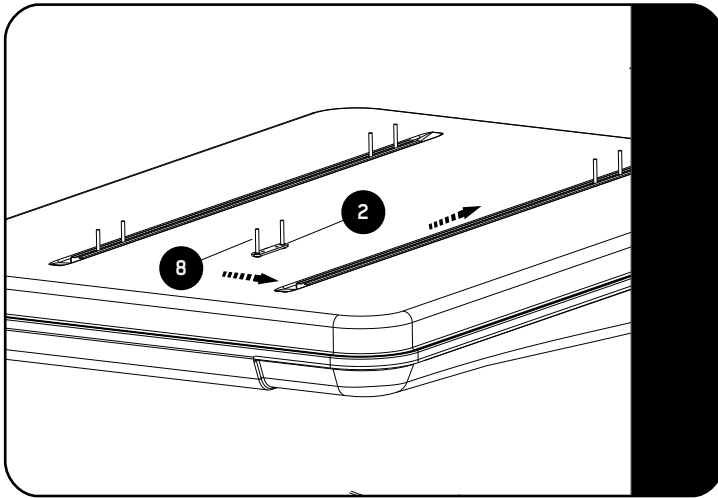
Tightening Torque 20Nm / 15ft lb

Place M8 Nut Caps (Item 7) over all the Nyloc Nuts.

3

FIT AND SECURE TENT TO LOAD BARS

3.1



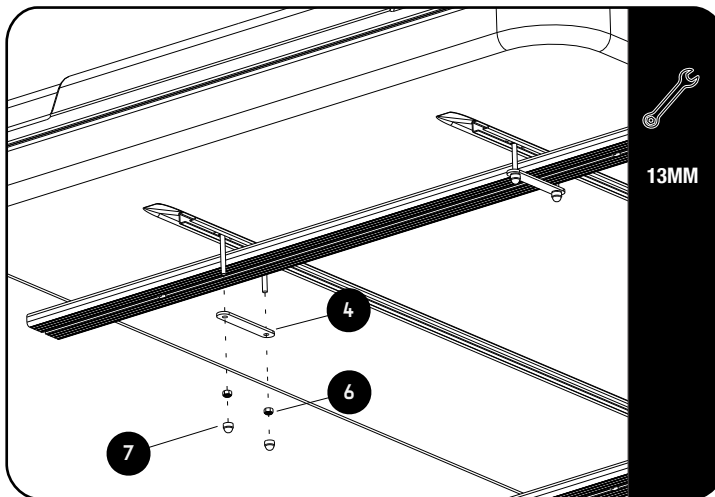
Use Channel Plate closest to mounting channel.



Assemble the M8 x 45 Coach Bolts and the Channel Plates (Items 1 or 2 & 8)

Slide two assemblies into the tent channel on each side.

3.2



Place the tent onto of your Load Bars. Using four Tent Spacer Bases (Item 4), secure the tent to the Load bars using M8 Nyloc Nuts (Item 6) as shown.

Place M8 Nut Caps (Item 7) over all the Nyloc Nuts.

4

FINISH

Congratulations! You did it. Take a step back and admire your work!

5

INSTALL OTHER VEHICLE AND RACK ACCESSORIES

Now's the time to visit your favorite Front Runner Dealer in person or online.

Be sure to tag us. We love to see our gear in action! #FrontRunnerOutfitters #BornToRoam

Share your adventures on:

